



Invotech Scroll Technologies
No. 68, Dongnan Road, Changshu, Jiangsu, PRC.
Email: scroll@invotech.cn
www.invotech.cn

Every effort has been made to provide accurate descriptions and data. However, due to the continuing process of product improvement and evolution, all information in this brochure is subject to change without notification.

YW/YSW_201803



InvoTech

YW/YSW series Scroll Compressors

Special Design For Heat Pump Application

50Hz



InvoTech Scroll Technologies Co., Ltd

s a high-tech company.

Our company is founded by a group of engineers who formerly worked for the world's largest manufacturer of scroll compressors. We are a team of passionate and highly qualified professionals with more than 15 years of experience in this industry. Our company's products in addition to impressive sales performance in the domestic market, also sales to Asia, Africa, Europe, South America and other more than 30 countries and regions.

Our company provides specialized scroll compressors and related technical consulting services for heat pump water heaters, refrigeration and air conditioning, chillers and other applications. We are willing to provide our customers with jointly developed or Turn-Key solutions to meet their needs.

Our vision: to become a global first class solution provider by providing innovative products for the climate and energy industries.

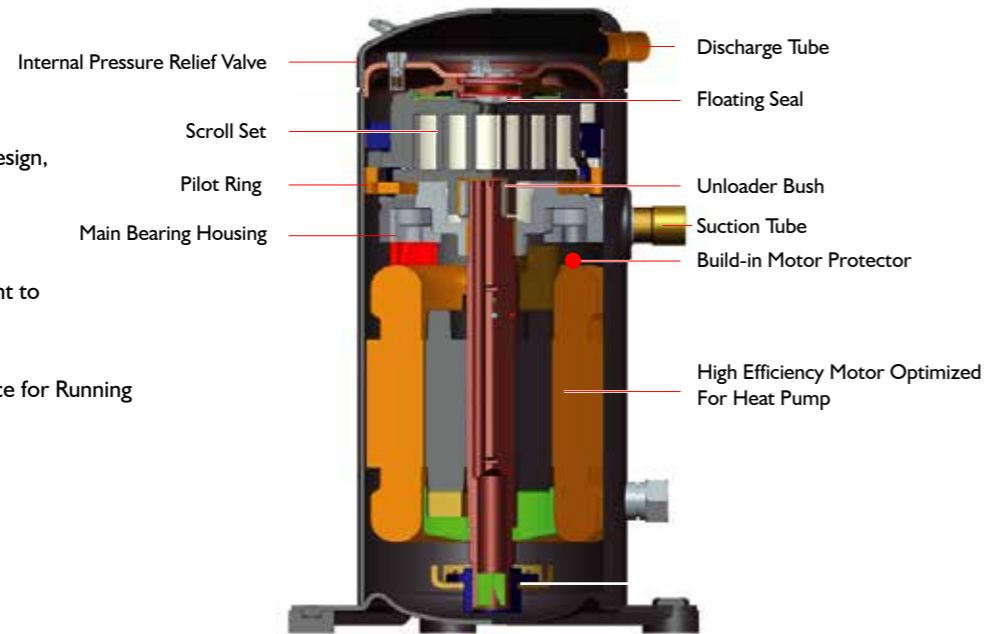
For more information please visit:
www.invotech.cn

<i>Product Features</i>	<i>1</i>
<i>Models</i>	<i>2</i>
<i>Nomenclature</i>	<i>3</i>
<i>Specifications</i>	
<i>R410A</i>	<i>4</i>
<i>R407C</i>	<i>7</i>
<i>R134a</i>	<i>11</i>
<i>Operating Envelope</i>	<i>15</i>
<i>Capacity</i>	
<i>R410A</i>	<i>16</i>
<i>R407C</i>	<i>27</i>
<i>R134a</i>	<i>35</i>
<i>Dimensions</i>	<i>47</i>

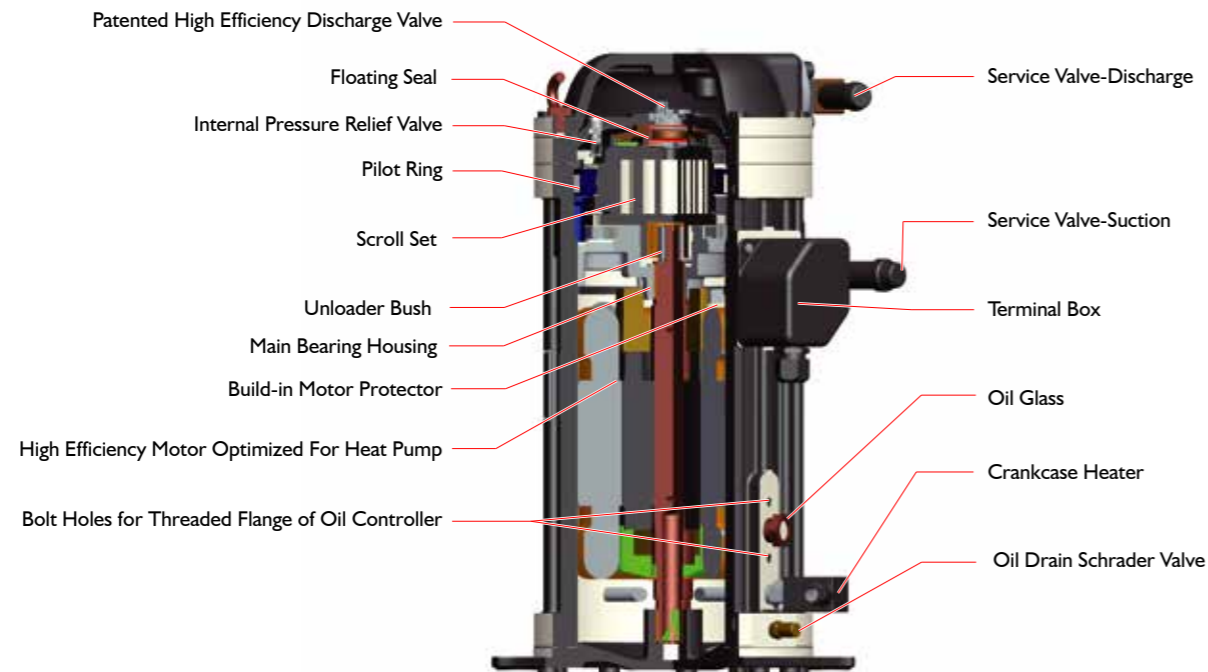
YW/YSW Series

Product Features

- Specific Design For Heat Pump, Not Only The Scroll Set But Also The Unit, Precise Product-Definition Based On Customer's Need
- Both Build-in Radius and Axial Compliance Design, Improved Floating Seal Design for Better Energy Efficiency
- Excellent Discharge Temperature Management to Stretch Operation Envelope
- Accurate Calculation of Load and Sealing Force for Running Sound Optimization
- High Efficiency Motor Design



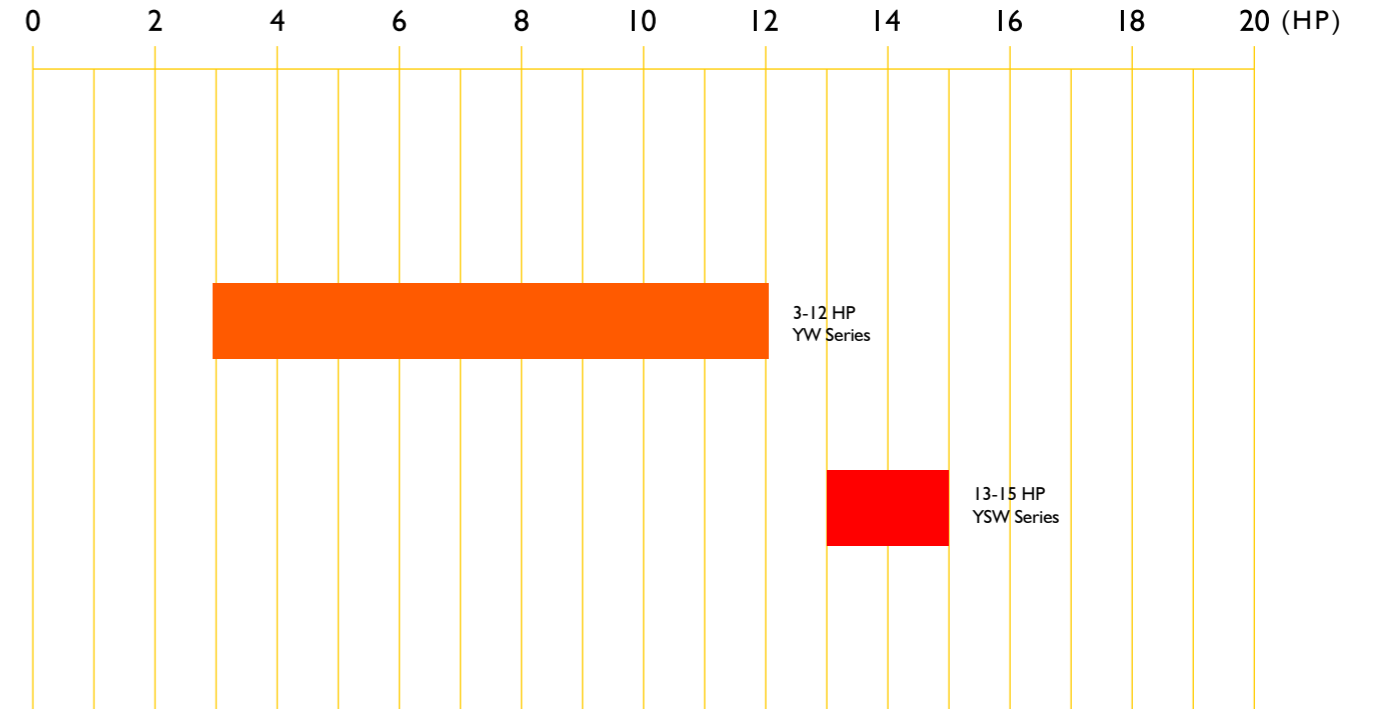
YW series



YSW series

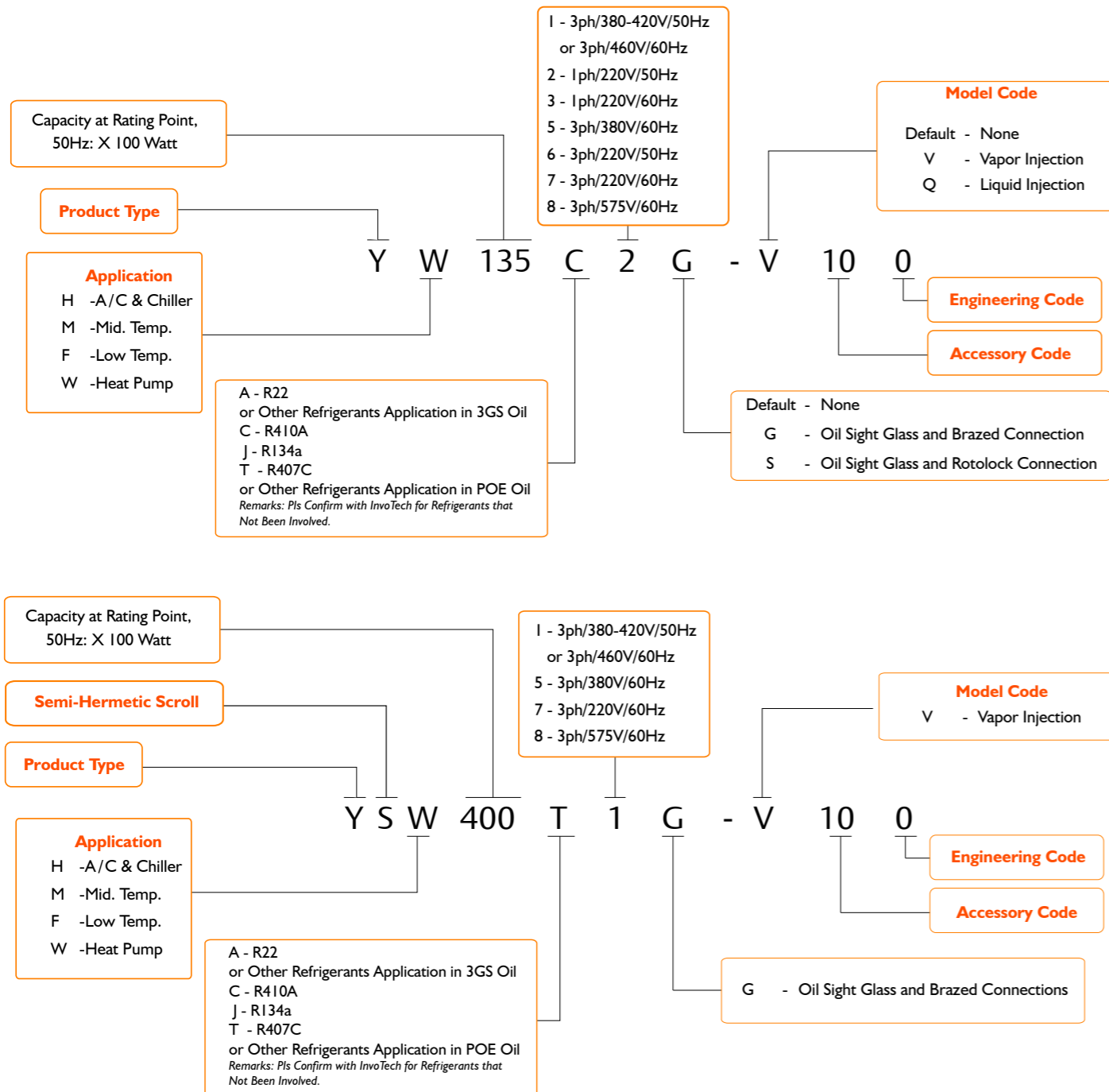
YW/YSW Series

Models



YW/YSW Series

Nomenclature



YW/YSW Series

Specifications

R410A

Classic Series

Model	YW75C2-102	YW110C2-100	YW75C1-100	YW110C1-100	YW135C1-100	YW160C1-100	YW185C1-100	YW270C1-100	YW300C1-100*	YW320C1-100*	YW340C1-100*	
Electricity	220V / 50Hz / 1P		380V / 50Hz / 3P									
	Single Phase			3 Phase								
Power in Horse Power (HP)	3	4	3	4	5	6	7	10	11	12	13	
Displacement (m³/H)	5.6	8.1	5.6	8.1	10.3	11.8	13.4	20.1	22.2	22.9	24.9	
Refrigerant	R410A											
Heating Capacity (W)	10500	15655	10626	14577	18593	21403	23860	37321	28135	29777	33112	
Power in Watt (W)	2900	4254	2826	3877	4893	5603	6697	9821	9135	9668	10512	
COP (W/W)	3.62	3.68	3.76	3.76	3.80	3.82	3.56	3.80	3.08	3.08	3.15	
Running Current (A)	13.7	20.1	5.3	7.4	8.7	9.8	12.6	16.7	15.7	16.4	17.7	
LRA (A)	76	109	45	60	60	65	85	121	121	121	141	
MOC (A)	20.5	30	7.6	11	13	14	18.1	24	29.1	30	32	
Crankcase Heater (W)	70						90					
Fitting Dimensions (Inch)												
Discharge Tube (OD)				1/2				7/8				
Suction Tube (OD)				7/8				1 1/8				
Product Dimensions (mm)												
Length (L)	239						260					
Width (W)	239						244					
Height (H)	418	463	418			463		508				
Feet Dimensions (Hole)	190 x 190 (8.5)											
Oil Type	POE											
Initial Charge Volume (L)	1.4	1.6					1.6	2.7				
Recharge Volume (L)	1.25	1.45					1.45	2.6				
Max Operating Pressure (MPa)												
High Side	4.3											
Low Side	2.0											
Weight (kg)	31	35	30	31	31	40	40	54	54	54	54	

Remarks:
 Classic Series: E.T. 5°C, C.T. 55°C, Subcooling 8.3°C, R.G.T. 11.1°C
 **Series: E.T. -6.7°C, C.T. 48.9°C, Subcooling °C, R.G.T. 11.1°C

YW/YSW Series

Specifications

R410A

Classic Series(With EVI)

Model	YW75C2-V102	YW110C2-V100	YW135C2-V100	YW152C2-V100	YW75C1-V100	YW110C1-V100	YW135C1-V100
Electricity	220V / 50Hz / 1P Single Phase				380V / 50Hz / 3P 3 Phase		
Power in Horse Power (HP)	3	4	5	5.8	3	4.5	5
Displacement (m ³ /H)	5.6	8.1	10.3	11.0	5.6	8.1	10.3
Refrigerant	R410A						
Heating Capacity (W)	11359	16593	19872	21113	11129	15267	19474
Power in Watt (W)	3091	4509	5629	5816	2939	4032	5089
COP (W/W)	3.67	3.68	3.53	3.63	3.79	3.79	3.83
Running Current (A)	14.6	18.1	19.1	20.1	5.4	7.5	8.9
LRA (A)	76	109	140	180	45	60	60
MOC (A)	20.5	30	36	39	7.6	11	13
Crankcase Heater (W)	70						
Fitting Dimensions (Inch)							
Discharge Tube (OD)	1/2						
Suction Tube (OD)	7/8						
Product Dimensions (mm)							
Length (L)	239						
Width (W)	239						
Height (H)	418	463			418		
Feet Dimensions (Hole)	190 x 190 (8.5)						
Oil Type	POE						
Initial Charge Volume (L)	1.4	1.6			1.4		
Recharge Volume (L)	1.25	1.45			1.25		
Max Operating Pressure (MPa)							
High Side	4.3						
Low Side	2.0						
Weight (kg)	31	35	35	35	30	31	31

Remarks:
Classic Series: E.T. 5°C, C.T. 55°C, Subcooling 8.3°C, R.G.T. 11.1°C

YW/YSW Series

Specifications

R410A

Classic Series(With EVI)

Model	YW160C1-V100	YW185C1-V100	YW270C1-V100	YW300C1-V100*	YW320C1-V100*	YW340C1-V100*	YW400C1-V100**
Electricity	380V / 50Hz / 3P 3 Phase						
Power in Horse Power (HP)	6	7	10	11	12	13	15
Displacement (m ³ /H)	11.8	13.4	20.1	22.2	22.9	24.9	29.1
Refrigerant	R410A						
Heating Capacity (W)	22417	26680	38300	30044	31798	35380	22420
Power in Watt (W)	5827	7210	10000	9363	9910	10780	9340
COP (W/W)	3.85	3.70	3.83	3.21	3.21	3.28	2.40
Running Current (A)	10.1	12.6	17.8	16	16.8	18.2	17.5
LRA (A)	65	85	121	121	121	141	141
MOC (A)	14	18.1	24	29.1	30	32	36
Crankcase Heater (W)	70		90				
Fitting Dimensions (Inch)							
Discharge Tube (OD)	1/2		7/8				
Suction Tube (OD)	7/8		1 1/8				
Product Dimensions (mm)							
Length (L)	239		260				
Width (W)	239		244				
Height (H)	463		508				
Feet Dimensions (Hole)	190 x 190 (8.5)						
Oil Type	POE						
Initial Charge Volume (L)	1.6		2.7				
Recharge Volume (L)	1.45		2.6				
Max Operating Pressure (MPa)							
High Side	4.3						
Low Side	2.0						
Weight (kg)	35	35	53	53	54	54	54

Remarks:
Classic Series: E.T. 5°C, C.T. 55°C, Subcooling 8.3°C, R.G.T. 11.1°C
**Series: E.T. -6.7°C, C.T. 48.9°C, Subcooling °C, R.G.T. 11.1°C
***Series: E.T. -31.6°C, C.T. 40.6°C, Subcooling °C, R.G.T. 4.4°C

YW/YSW Series

Specifications

R407C

Classic Series

Model	YW75T2-102	YW110T2-100	YW75T1-100	YW110T1-100	YW135T1-100	YW160T1-100	YW185T1-100
Electricity	220V / 50Hz / 1P		380V / 50Hz / 3P				
	Single Phase		3 Phase				
Power in Horse Power (HP)	3	4	3	4	5	6	7
Displacement (m ³ /H)	8.1	11.8	8.1	11.8	14.5	17.1	18.8
Refrigerant	R407C						
Heating Capacity (W)	10000	14650	9920	14590	17520	20480	23991
Power in Watt (W)	2740	3900	2660	3840	4550	5320	6231
COP (W/W)	3.65	3.76	3.73	3.80	3.85	3.85	3.85
Running Current (A)	12.7	18.5	5.1	7.4	8.4	9.6	11.2
LRA (A)	76	109	45	60	60	65	85
MOC (A)	20.7	30.5	7.5	10.5	12.6	14.5	17.1
Crankcase Heater (W)	70						
Fitting Dimensions (Inch)							
Discharge Tube (OD)	1/2						
Suction Tube (OD)	7/8						
Product Dimensions (mm)							
Length (L)	239						
Width (W)	239						
Height (H)	418	463	418				463
Feet Dimensions (Hole)	190 x 190 (8.5)						
Oil Type	POE						
Initial Charge Volume (L)	1.4	1.6	1.4				1.6
Recharge Volume (L)	1.25	1.45	1.25				1.45
Max Operating Pressure (MPa)							
High Side	3.0						
Low Side	2.0						
Weight (kg)	31	35	30	31	31	35	35

Remarks:
Classic Series: E.T. 5°C, C.T. 55°C, Subcooling 8.3°C, R.G.T. 11.1°C

YW/YSW Series

Specifications

R407C

Classic Series

Model	YW205T1-100	YW245T1-100	YW285T1-100	YW320T1-100	YSW340T1 G-100	YSW400T1 G-100
Electricity	380V / 50Hz / 3P					
	3 Phase					
Power in Horse Power (HP)	8	9	10	12	13	15
Displacement (m ³ /H)	21.4	25.3	29.1	32.9	37.7	42.5
Refrigerant	R407C					
Heating Capacity (W)	26717	31772	36829	41285	43630	51919
Power in Watt (W)	6979	8252	9469	10565	11470	13999
COP (W/W)	3.83	3.85	3.89	3.91	3.80	3.71
Running Current (A)	13	14.7	16.6	18.2	20.2	24.3
LRA (A)	117	117	121	121	148.5	148.5
MOC (A)	19.6	21.8	24.7	28	27.7	31.6
Crankcase Heater (W)	90			75		
Fitting Dimensions (Inch)						
Discharge Tube (OD)	7/8					
Suction Tube (OD)	1 1/8			1 3/8		
Product Dimensions (mm)						
Length (L)	260			318		
Width (W)	244			309		
Height (H)	508			602		
Feet Dimensions (Hole)	190 x 190 (8.5)					
Oil Type	POE					
Initial Charge Volume (L)	2.7			3.0		
Recharge Volume (L)	2.6			2.8		
Max Operating Pressure (MPa)						
High Side	3.0					
Low Side	2.0					
Weight (kg)	53	53	54	54	90	90

Remarks:
Classic Series: E.T. 5°C, C.T. 55°C, Subcooling 8.3°C, R.G.T. 11.1°C

YW/YSW Series

Specifications

R407C

Classic Series(With EVI)

Model	YW75T2-V102	YW110T2-V100	YW152T2-V100	YW75T1-V100	YW110T1-V100	YW135T1-V100	YW160T1-V100	YW185T1-V100
Electricity	220V / 50Hz / 1P			380V / 50Hz / 3P				
	Single Phase			3 Phase				
Power in Horse Power (HP)	3	4	5.8	3	4	5	6	7
Displacement (m ³ /H)	8.1	11.8	16.3	8.1	11.8	14.5	17.1	18.8
Refrigerant	R407C							
Heating Capacity (W)	11220	16450	21458	11180	16380	19700	23030	25430
Power in Watt (W)	2990	4260	5861	2910	4190	4970	5810	6542
COP (W/W)	3.75	3.86	3.66	3.84	3.91	3.96	3.96	3.89
Running Current (A)	13.9	20.2	30.3	6.3	7.9	9.2	10.3	11.2
LRA (A)	76	109	180	45	60	60	65	85
MOC (A)	20.7	30.5	42	7.5	10.5	12.6	14.5	17.1
Crankcase Heater (W)	70							
Fitting Dimensions (Inch)								
Discharge Tube (OD)	1/2							
Suction Tube (OD)	7/8							
Product Dimensions (mm)								
Length (L)	239							
Width (W)	239							
Height (H)	418	463	418				463	
Feet Dimensions (Hole)	190 x 190 (8.5)							
Oil Type	POE							
Initial Charge Volume (L)	1.4	1.6	1.4				1.6	
Recharge Volume (L)	1.25	1.45	1.25				1.45	
Max Operating Pressure (MPa)								
High Side	3.0							
Low Side	2.0							
Weight (kg)	31	35	38	30	31	31	40	40

Remarks:
Classic Series: E.T. 5°C, C.T. 55°C, Subcooling 8.3°C, R.G.T. 11.1°C

YW/YSW Series

Specifications

R407C

Classic Series(With EVI)

Model	YW205T1-V100	YW245T1-V100	YW285T1-V100	YW320T1-V100	YSW340T1-G-V100	YSW400T1-G-V100
Electricity	380V / 50Hz / 3P					
	3 Phase					
Power in Horse Power (HP)	8	9	10	12	13	15
Displacement (m ³ /H)	21.4	25.3	29.1	32.9	37.7	42.5
Refrigerant	R407C					
Heating Capacity (W)	27983	33278	38576	42552	46029	54774
Power in Watt (W)	7258	8582	9848	10800	12100	14768
COP (W/W)	3.86	3.88	3.92	3.94	3.80	3.71
Running Current (A)	13.5	15.2	17.2	18.9	21.6	24.7
LRA (A)	117	117	121	121	148.5	148.5
MOC (A)	19.6	21.8	24.7	28	27.7	31.6
Crankcase Heater (W)	90			75		
Fitting Dimensions (Inch)						
Discharge Tube (OD)	7/8					
Suction Tube (OD)	1 1/8			1 3/8		
Product Dimensions (mm)						
Length (L)	260			318		
Width (W)	244			309		
Height (H)	508			602		
Feet Dimensions (Hole)	190 x 190 (8.5)					
Oil Type	POE					
Initial Charge Volume (L)	2.7			3.0		
Recharge Volume (L)	2.6			2.8		
Max Operating Pressure (MPa)						
High Side	3.0					
Low Side	2.0					
Weight (kg)	53	53	54	54	90	90

Remarks:
Classic Series: E.T. 5°C, C.T. 55°C, Subcooling 8.3°C, R.G.T. 11.1°C

YW/YSW Series

Specifications

RI34a

Ultra-High Temp. J Series

Model	YW38J2-102	YW55J2-102	YW80J2-100	YW38J1-100	YW55J1-100	YW80J1-100	YW100J1-100
Electricity	220V / 50Hz / 1P			380V / 50Hz / 3P			
	Single Phase			3 Phase			
Power in Horse Power (HP)	2	3	4	2	3	4	5
Displacement (m ³ /H)	5.8	8.1	11.8	5.8	8.1	11.8	14.5
Refrigerant	R134a						
Heating Capacity (W)	5126	7180	10450	5000	7180	10430	13000
Power in Watt (W)	1226	1700	2450	1199	1689	2437	3023
COP (W/W)	4.18	4.22	4.27	4.17	4.25	4.28	4.30
Running Current (A)	5.8	7.9	11.6	2.4	4.1	5.9	6.4
LRA (A)	76	76	109	22	45	60	60
MOC (A)	13	15.4	23.2	5	6.5	9	10.4
Crankcase Heater (W)	70						
Fitting Dimensions (Inch)							
Discharge Tube (OD)	1/2						
Suction Tube (OD)	7/8						
Product Dimensions (mm)							
Length (L)	239						
Width (W)	239						
Height (H)	418						
Feet Dimensions (Hole)	190 x 190 (8.5)						
Oil Type	POE						
Initial Charge Volume (L)	1.4						
Recharge Volume (L)	1.25						
Max Operating Pressure (MPa)							
High Side	3.0						
Low Side	2.0						
Weight (kg)	31	31	33	29	30	31	31

Remarks:
Classic Series: E.T. 5°C, C.T. 55°C, Subcooling 8.3°C, R.G.T. 11.1°C

YW/YSW Series

Specifications

RI34a

Ultra-High Temp. J Series

Model	YW120J1-100	YW132J1-100	YW180J1-100	YW200J1-100	YW240J1-100	YSW265J1 G-100	YSW290J1 G-100
Electricity	380V / 50Hz / 3P						
	3 Phase						
Power in Horse Power (HP)	6	6.5	9	10	12	13	15
Displacement (m ³ /H)	17.1	18.5	25.3	29.1	32.9	37.7	42.5
Refrigerant	R134a						
Heating Capacity (W)	15530	16500	23450	25540	29220	34913	38206
Power in Watt (W)	3612	3837	5450	5940	6720	8413	9206
COP (W/W)	4.30	4.30	4.30	4.30	4.35	4.15	4.15
Running Current (A)	7.4	7.7	11	11.6	12.5	16	17.2
LRA (A)	65	65	117	121	121	148.5	148.5
MOC (A)	12.3	13.5	18.8	20.3	24	27.3	32.1
Crankcase Heater (W)	70		90			75	
Fitting Dimensions (Inch)							
Discharge Tube (OD)	1/2		7/8				
Suction Tube (OD)	7/8		1 1/8			1 3/8	
Product Dimensions (mm)							
Length (L)	239		260			318	
Width (W)	239		244			309	
Height (H)	463		508			602	
Feet Dimensions (Hole)	190 x 190 (8.5)						
Oil Type	POE						
Initial Charge Volume (L)	1.6		2.7			3.0	
Recharge Volume (L)	1.45		2.6			2.8	
Max Operating Pressure (MPa)							
High Side	3.0						
Low Side	2.0						
Weight (kg)	35	35	53	54	54	90	90

Remarks:
Classic Series: E.T. 5°C, C.T. 55°C, Subcooling 8.3°C, R.G.T. 11.1°C

YW/YSW Series

Specifications

RI34a

Ultra-High Temp. J Series(With EVI)

Model	YW38J2-V102	YW55J2-V102	YW80J2-V100	YW38J1-V100	YW55J1-V100	YW80J1-V100	YW100J1-V100	YW120J1-V100	YW132J1-V100
Electricity	220V / 50Hz / 1P			380V / 50Hz / 3P					
	Single Phase			3 Phase					
Power in Horse Power (HP)	2	3	4	2	3	4	5	6	6.5
Displacement (m ³ /H)	5.8	8.1	11.8	5.8	8.1	11.8	14.5	17.1	18.5
Refrigerant	R134a								
Heating Capacity (W)	5382	7522	10948	5238	7522	10927	13620	16270	17325
Power in Watt (W)	1287	1768	2548	1247	1757	2534	3144	3756	4029
COP (W/W)	4.18	4.25	4.30	4.20	4.28	4.31	4.33	4.33	4.30
Running Current (A)	6.1	8.6	12.6	2.4	4.2	6	6.6	7.6	7.9
LRA (A)	76	76	109	22	45	60	60	65	65
MOC (A)	13	15.4	23.2	5	6.5	9	10.4	12.3	13.5
Crankcase Heater (W)	70								
Fitting Dimensions (Inch)									
Discharge Tube (OD)	1/2								
Suction Tube (OD)	7/8								
Product Dimensions (mm)									
Length (L)	239								
Width (W)	239								
Height (H)	418						463		
Feet Dimensions (Hole)	190 x 190 (8.5)								
Oil Type	POE								
Initial Charge Volume (L)	1.4						1.6		
Recharge Volume (L)	1.25						1.45		
Max Operating Pressure (MPa)									
High Side	3.0								
Low Side	2.0								
Weight (kg)	31	31	33	29	30	31	31	40	41

Remarks:
Classic Series: E.T. 5°C, C.T. 55°C, Subcooling 8.3°C, R.G.T. 11.1°C

YW/YSW Series

Specifications

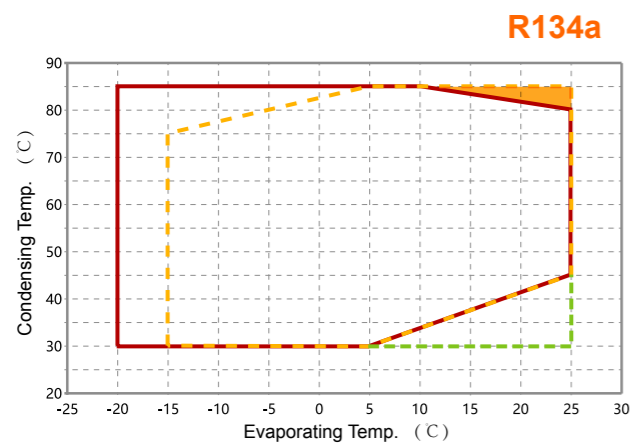
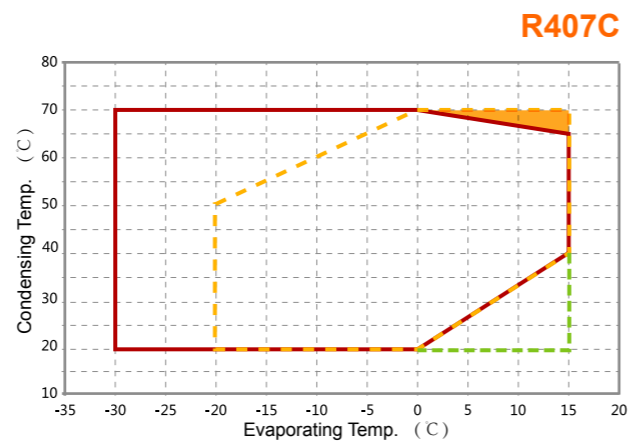
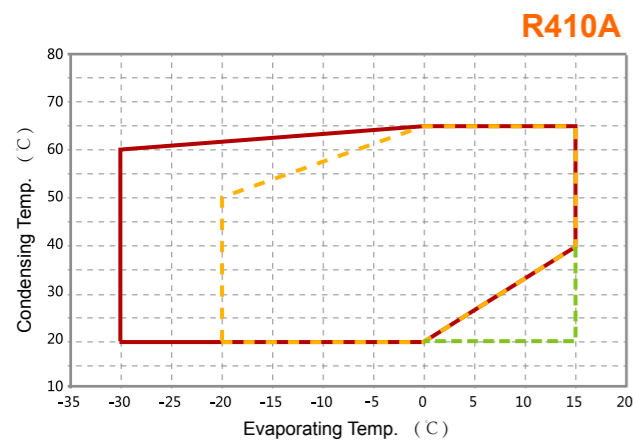
RI34a

Ultra-High Temp. J Series(With EVI)

Model	YW180J1-V100	YW200J1-V100	YW240J1-V100	YSW265J1-G-V100	YSW290J1-G-V100
Electricity	380V / 50Hz / 3P				
	3 Phase				
Power in Horse Power (HP)	9	10	12	13	15
Displacement (m ³ /H)	25.3	29.1	32.9	37.7	42.5
Refrigerant	R134a				
Heating Capacity (W)	24568	26758	30614	36658	40117
Power in Watt (W)	5668	6178	6989	8833	9667
COP (W/W)	4.33	4.33	4.38	4.15	4.15
Running Current (A)	11.3	11.9	12.9	16.5	17.8
LRA (A)	117	121	121	148.5	148.5
MOC (A)	18.8	20.3	24	27.3	32.1
Crankcase Heater (W)	90			75	
Fitting Dimensions (Inch)					
Discharge Tube (OD)	7/8				
Suction Tube (OD)	1 1/8		1 3/8		
Product Dimensions (mm)					
Length (L)	260			318	
Width (W)	244			309	
Height (H)	508			602	
Feet Dimensions (Hole)	190 x 190 (8.5)				
Oil Type	POE				
Initial Charge Volume (L)	2.7			3.0	
Recharge Volume (L)	2.6			2.8	
Max Operating Pressure (MPa)					
High Side	3.0				
Low Side	2.0				
Weight (kg)	53	54	54	90	90

Remarks:
Classic Series: E.T. 5°C, C.T. 55°C, Subcooling 8.3°C, R.G.T. 11.1°C

YW/YSW Series Operating Envelope



- EVI Off Area
- Operating Envelope for with EVI model
- - - Transition Area
- - - Operating Envelope for without EVI model

YW/YSW Series Capacity

R410A Classic Series

Model	C.T. (°C)	E.T. (°C)								
		-20	-15	-10	-5	0	5	10	15	
YW75C2-102	Heating Capacity (W)	65					8827	10263	11663	13223
		55		5722	6958	8396	9677	10952	12436	13904
		50	4974	6225	7272	8646	9957	11279	12835	14315
		45	5428	6570	7539	8865	10235	11627	13275	14938
		40	5633	6783	7689	9096	10468	11962	13685	15474
		35	5887	6925	7839	9278	10731	12302	14130	16087
YW110C2-100	Heating Capacity (W)	65					12493	14387	16354	18545
		55		8018	9752	11772	13569	15362	17446	19507
		50	6970	8724	10195	12124	13966	15823	18009	20088
		45	7607	9212	10572	12434	14359	16315	18629	20964
		40	7896	9513	10785	12761	14688	16787	19206	21720
		35	8256	9714	10997	13018	15059	17267	19834	22582
YW75C1-100	Heating Capacity (W)	65					8753	10189	11589	13147
		55		5667	6901	8338	9618	10894	12377	13844
		50	4925	6175	7222	8594	9904	11227	12782	14262
		45	5384	6526	7493	8818	10188	11580	13227	14889
		40	5593	6743	7648	9054	10426	11920	13642	15431
		35	5852	6889	7802	9241	10693	12264	14091	16048
YW75C1-100	Power (W)	65					3708	3689	3725	3779
		55		2762	2836	2909	2938	2923	2952	2995
		50	2448	2481	2514	2591	2627	2614	2642	2683
		45	2218	2244	2304	2324	2368	2378	2399	2431
		40	1975	2027	2058	2096	2117	2130	2151	2182
		35	1768	1810	1837	1874	1895	1913	1939	1972
	25	1584	1592	1616	1652	1673	1696	1727		

Remarks: Subcooling 8.3°C, S.H 11.1°C

YW/YSW Series Capacity

R410A Classic Series

Model	C.T. (°C)	E.T. (°C)								
		-20	-15	-10	-5	0	5	10	15	
YW320C1-100*	Heating Capacity (W)	65				34026	39273	44713	50770	
		55		21774	26569	32150	37123	42088	47852	53553
		50	19599	23778	27845	33174	38267	43411	49458	55207
		45	20726	25164	28921	34072	39395	44807	51211	57670
		40	21563	26029	29548	35010	40345	46151	52847	59800
	Power (W)	35	22588	26618	30166	35758	41404	47512	54616	62220
		25	22716	27208	30785	36505	42463	48874	56385	
		65				14068	13996	14133	14339	
		55		10480	10758	11035	11146	11089	11198	11363
		50	9288	9413	9537	9831	9967	9916	10024	10177
YW340C1-100*	Heating Capacity (W)	45	8416	8513	8741	8819	8982	9023	9100	9222
		40	7494	7691	7807	7954	8032	8079	8162	8280
		35	6706	6866	6969	7110	7190	7256	7357	7482
		25	6009	6040	6131	6266	6349	6433	6552	
		65				37825	43542	49666	51661	
	Power (W)	55		27139	30025	35929	41050	46459	53037	55454
		50	23525	26500	31296	36974	42235	47841	54771	57488
		45	23154	27837	32132	37843	43314	49118	56527	59549
		40	23926	28541	32751	38732	44311	50556	58317	61622
		35	24843	29056	33368	39512	45432	52015	60254	63783
YW340C1-100*	Heating Capacity (W)	25	24720	29571	33984	40292	46553	53475	62192	
		65				16066	15984	15984	16014	
		55		12772	12787	12791	12729	12664	12664	12694
		50	11152	11304	11337	11395	11382	11324	11337	11379
		45	10196	10223	10132	10171	10159	10107	10144	10210
	Power (W)	40	9116	9142	9050	9084	9084	9050	9099	9178
		35	8125	8161	8078	8120	8132	8127	8201	8305
		25	7134	7180	7107	7156	7180	7205	7304	

Remarks: Subcooling 8.3°C, S.H 11.1°C

YW/YSW Series Capacity

R410A Classic Series(With EVI)

Model	C.T. (°C)	E.T. (°C)									
		-30	-25	-20	-15	-10	-5	0	5	10	15
YW75C2-V102	Heating Capacity (W)	65						10147	11782	13248	14893
		55	4552	4986	5562	6721	7979	9579	10959	12228	13657
		50	4858	5265	5793	7243	8299	9817	11147	12411	13889
		45	5079	5645	6305	7518	8602	9979	11312	12619	14187
		40	5347	6184	6513	7756	8675	10080	11367	12799	14462
	Power (W)	35	6017	6337	6843	7947	8803	10193	11562	13061	14863
		25	5959	6326	6752	7876	8695	10114	11610	13273	15309
		65						4212	4130	4116	4123
		55	2539	2767	2988	3207	3182	3258	3255	3209	3207
		50	2572	2652	2722	2810	2805	2864	2884	2850	2852
YW110C2-V100	Heating Capacity (W)	45	2288	2382	2444	2485	2531	2543	2582	2580	2576
		40	1926	2047	2136	2192	2246	2288	2311	2324	2282
		35	1703	1815	1889	1938	1978	2029	2056	2065	2063
		25	1568	1640	1637	1678	1734	1793	1821	1824	1808
		65						14368	16523	18581	20892
	Power (W)	55	6446	6978	7730	9419	11187	13434	15372	17155	19162
		50	6771	7305	8120	10155	11638	13771	15638	17414	19491
		45	7067	7820	8841	10544	12065	14001	15873	17709	19912
		40	7424	8550	9135	10880	12171	14145	15952	17964	20300
		35	8336	8753	9600	11151	12352	14304	16228	18333	20864
YW135C2-V100	Heating Capacity (W)	25	8253	8734	9473	11053	12203	14195	16296	18632	21493
		65						5888	5773	5754	5763
		55	3685	3935	4199	4483	4447	4554	4550	4486	4483
		50	3636	3720	3805	3928	3921	4004	4032	3983	3987
		45	3238	3343	3416	3474	3538	3555	3609	3606	3600
	Power (W)	40	2731	2874	2985	3064	3140	3198	3230	3249	3190
		35	2418	2550	2640	2709	2765	2836	2874	2886	2884
		25	2229	2305	2289	2345	2424	2506	2545	2550	2528
		65						16991	19438	21785	42118
		55	7899	8504	9380	11202	13215	15791	18002	20030	22320
YW135C2-V100	Heating Capacity (W)	50	8226	8843	10120	11985	13677	16119	18253	20275	22645
		45	8546	9424	10434	12384	14126	16336	18482	20573	23086
		40	8932	10250	10722	12725	14206	16464	18530	20828	23487
		35	9983	10469	11218	12998	14375	16610	18809	21212	24100
		25	9873	10429	11043	12850	14170	16452	18854	21519	24782
	Power (W)	65						7315	7172	7148	7159
		55	4653	4925	5230	5569	5525	5657	5653	5573	5569
		50	4538	4629	4726	4879	4871	4973	5008	4949	4952
		45	4045	4160	4243	4315	4395	4417	4579	4480	4473
		40	3414	3578	3578	3806	3900	3973	4012	4036	3963
35	3026	3176	3176	3365	3436	3523	3571	3585	3582		
25	2791	2871	2871	2914	3010	3113	3161	3141	3141		

Remarks: Subcooling 8.3°C, S.H 11.1°C
EVI Control rule: Discharge temp. ≤112°C, control injecting superheat=6K; Discharge temp. >112°C, control injecting making Discharge temp. =112°C.

YW/YSW Series

Capacity

R407C

Classic Series

Model	C.T. (°C)	E.T. (°C)								
		-20	-15	-10	-5	0	5	10	15	
YW75T2-102	Heating Capacity (W)	70				8420	9656	10955	12385	
		65			7924	8352	9733	11131	12684	
		55		6194	6752	7610	8776	9929	11580	13281
		50	5455	5943	6660	7740	8951	10334	11834	13581
		45	5353	5802	6641	7897	9121	10477	12067	13869
	Power (W)	35	5439	6101	6957	8200	9498	10883	12581	14355
		25	4775	5427	6810	8504	9905	11271	12094	9633
		70				3489	3570	3756	3903	
		65			3049	3139	3209	3376	3509	
		55		2375	2472	2547	2661	2740	2865	2998
YW110T2-100	Heating Capacity (W)	70				12364	14184	16097	18203	
		65			11638	12267	14302	16361	18649	
		55		9097	9918	11182	12899	14734	17030	19536
		50	8012	8731	9787	11377	13160	15197	17407	19980
		45	7864	8525	9760	11610	13412	15411	17753	20408
	Power (W)	35	7996	8969	10230	12061	13973	16014	18515	21128
		25	7021	7980	10016	12512	14575	16589	17801	14181
		70				4955	5069	5333	5543	
		65			4330	4457	4557	4794	4984	
		55		3373	3510	3617	3779	3927	4068	4258
YW75T1-100	Heating Capacity (W)	70				8319	9552	10847	12273	
		65			7835	8260	9640	11033	12583	
		55		6125	6680	7536	8699	9942	11498	13195
		50	5395	5880	6595	7671	8879	10261	11758	13500
		45	5298	5745	6580	7832	9054	10410	11996	13795
	Power (W)	35	5392	6051	6904	8144	9441	10825	12519	14290
		25	4736	5385	6764	8455	9854	11219	12041	9596
		70				3354	3432	3610	3752	
		65			2931	3017	3085	3245	3374	
		55		2283	2376	2448	2558	2658	2754	2882
Power (W)	50	1991	2078	2156	2299	2398	2463	2571	2711	
	45	1825	1895	2038	2166	2223	2253	2373	2520	
	35	1565	1676	1786	1897	1922	1975	2114	2254	
	25	1308	1429	1550	1671	1720	1767	1823	1272	

Remarks: Subcooling 8.3°C, S.H 11.1°C
 Transition Area

YW/YSW Series

Capacity

R407C

Classic Series

Model	C.T. (°C)	E.T. (°C)								
		-20	-15	-10	-5	0	5	10	15	
YW110T1-100	Heating Capacity (W)	70				12287	14105	16014	18117	
		65				11571	12198	14232	16286	18572
		55		9045	9863	11126	12841	14673	16967	19470
		50	7966	8683	9737	11324	13104	15141	17348	19917
		45	7822	8482	9713	11560	13361	15359	17698	20350
	Power (W)	35	7960	8931	10189	12017	13929	15969	18466	21077
		25	6990	7947	9981	12474	14536	16548	17760	14152
		70				4878	4991	5250	5456	
		65				4262	4388	4487	4720	4906
		55		3320	3455	3561	3720	3866	4005	4192
YW135T1-100	Heating Capacity (W)	70				14694	16884	19178	21708	
		65				13846	14599	17048	19519	22269
		55		10824	11807	13326	15390	17594	20357	23369
		50	9534	10394	11663	13570	15713	18166	20822	23914
		45	9366	10158	11638	13859	16029	18436	21251	24443
	Power (W)	35	9540	10707	12220	14420	16723	19180	22186	25327
		25	8381	9530	11977	14978	17462	19885	21344	17014
		70				5764	5897	6204	6448	
		65				5037	5185	5302	5577	5798
		55		3924	4083	4208	4396	4568	4733	4953
YW160T1-100	Heating Capacity (W)	70				17198	19761	22446	25407	
		65				16205	17086	19953	22845	26063
		55		12668	13819	15597	18011	20592	23825	27350
		50	11158	12165	13649	15882	18390	21260	24370	27989
		45	10962	11889	13621	16220	18759	21577	24872	28607
	Power (W)	35	11166	12531	14301	16876	19572	22448	25965	29643
		25	9809	11153	14017	17530	20437	23273	24980	19913
		70				6746	6902	7261	7546	
		65				5895	6069	6205	6527	6785
		55		4592	4779	4925	5145	5347	5539	5797
Power (W)	50	4004	4180	4336	4624	4822	4954	5170	5453	
	45	3670	3811	4100	4356	4472	4531	4773	5068	
	35	3148	3370	3592	3815	3865	3972	4252	4534	
	25	2631	2875	3118	3361	3459	3554	3666	2558	

Remarks: Subcooling 8.3°C, S.H 11.1°C
 Transition Area

YW/YSW Series Capacity

R407C Classic Series

Model	C.T. (°C)	E.T. (°C)								
		-20	-15	-10	-5	0	5	10	15	
YW185T1-100	Heating Capacity (W)	70				20850	23473	26491	29947	
		65			18543	20962	23747	26932	30580	
		55		14237	16307	18668	21368	24107	27973	31974
		50	12209	14142	16328	18814	21648	24877	28549	32711
		45	12087	14117	16408	19010	21968	25331	29145	33459
	Power (W)	35	12031	14225	16700	19503	22680	26280	6836	34939
		25	12146	14466	17085	20049	23407	27205	31492	36315
		70				8676	8679	8686	8707	
		65				7751	7754	7760	7768	7802
		55		6152	6186	6203	6214	6230	6262	6320
YW205T1-100	Heating Capacity (W)	50	5416	5489	5533	5561	5583	5609	5650	5717
		45	4829	4910	4964	5001	5031	5065	5114	5189
		35	3863	3959	4026	4076	4118	4163	4223	4307
		25	3092	3196	3270	3326	3373	3423	3487	3575
		70				21934	25020	28460	32226	
	Power (W)	65				19756	22406	25436	28846	32715
		55		15059	17362	19967	22872	26173	29918	34159
		50	13067	15079	17431	20124	23156	26603	30511	34934
		45	13149	15145	17521	20317	23473	27062	31132	35735
		35	13172	15246	17780	20774	24171	28039	32425	37379
YW245T1-100	Heating Capacity (W)	25	13345	15449	18093	21276	24904	29039	33729	39026
		70				9113	9359	9560	9863	
		65				8816	8848	8861	8857	9064
		55		6927	6969	6993	6999	7024	7083	7325
		50	6024	6110	6177	6225	6252	6301	6385	6644
	Power (W)	45	5329	5426	5505	5566	5609	5678	5785	6058
		35	4215	4323	4414	4486	4552	4649	4789	5082
		25	3318	3424	3512	3581	3654	3762	3920	4220
		70				25723	29365	33428	37873	
		65				23154	26286	29868	33900	38469
YW245T1-100	Heating Capacity (W)	55		17644	20367	23445	26879	30782	35207	40216
		50	15310	17686	20466	23648	27232	31306	35925	41148
		45	15423	17780	20587	23891	27622	31864	36673	42108
		35	15476	17926	20919	24457	28472	33042	38224	44075
		25	15701	18186	21310	25072	29358	34245	39786	46041
	Power (W)	70				10563	10848	11080	11432	
		65				10218	10255	10271	10265	10506
		55		8029	8078	8106	8112	8141	8209	8490
		50	6983	7081	7159	7215	7246	7303	7401	7701
		45	6177	6289	6381	6451	6502	6581	6706	7022
Power (W)	35	4885	5011	5116	5199	5276	5389	5551	5891	
	25	3846	3969	4070	4151	4235	4360	4544	4891	

Remarks: Subcooling 8.3°C, S.H 11.1°C
Transition Area

YW/YSW Series Capacity

R407C Classic Series

Model	C.T. (°C)	E.T. (°C)								
		-20	-15	-10	-5	0	5	10	15	
YW285T1-100	Heating Capacity (W)	70				29466	33652	38322	43431	
		65				26516	30117	34237	38874	44127
		55		20203	23334	26874	30824	35312	40402	46159
		50	17530	20262	23458	27118	31240	35925	41237	47240
		45	17669	20379	23607	27406	31696	36574	42105	48353
	Power (W)	35	17745	20561	24003	28071	32688	37944	43902	50628
		25	18015	20873	24464	28790	33720	39339	45710	52900
		70				12028	12352	12617	13017	
		65				11635	11677	11695	11689	11963
		55		9143	9198	9230	9237	9271	9348	9668
YW320T1-100	Heating Capacity (W)	50	7951	8064	8152	8216	8251	8316	8427	8769
		45	7033	7162	7266	7346	7403	7494	7636	7996
		35	5563	5706	5825	5920	6008	6136	6321	6708
		25	4379	4519	4635	4726	4823	4965	5174	5570
		70				33314	38047	43326	49103	
	Power (W)	65				29978	34050	38708	43951	49890
		55		22841	26381	30384	34850	39924	45678	52187
		50	19819	22908	26522	30659	35319	40617	46621	53409
		45	19977	23041	26690	30985	35835	41350	47604	54667
		35	20062	23246	27138	31737	36957	42898	49635	57239
YW320T1-100	Heating Capacity (W)	25	20367	23598	27659	32550	38123	44476	51679	59808
		70				13598	13965	14264	14717	
		65				13155	13202	13223	13216	13525
		55		10337	10399	10435	10443	10481	10568	10931
		50	8990	9117	9216	9289	9329	9402	9528	9914
	Power (W)	45	7952	8097	8215	8305	8370	8472	8633	9040
		35	6289	6451	6586	6694	6793	6937	7146	7584
		25	4951	5109	5240	5344	5452	5614	5850	6297

Remarks: Subcooling 8.3°C, S.H 11.1°C
Transition Area

YW/YSW Series

Capacity

R407C

Classic Series

Model	C.T. (°C)	E.T. (°C)								
		-20	-15	-10	-5	0	5	10	15	
YSW340T1G-100	Heating Capacity (W)	65	19620	22968	26913	32329	36485	41238	46582	52677
		55	19635	24675	28291	32377	36931	42109	47986	54671
		50	21413	24579	28276	32504	37260	42670	48809	55780
		45	21434	24577	28313	32704	37657	43294	49690	56945
		35	21298	24565	28550	33254	38588	44665	51561	59371
	25	21429	24744	28901	33901	39597	46095	53471	61817	
	Power (W)	65	11309	12288	12806	14590	14619	14665	14658	14999
		55	9802	11465	11534	11574	11583	11625	11721	12122
		50	9970	10111	10222	10302	10347	10427	10568	10994
		45	8819	8981	9111	9212	9283	9397	9575	10025
35		6975	7155	7305	7424	7534	7695	7925	8411	
25	5491	5667	5811	5926	6048	6226	6488	6984		
YSW400T1G-100	Heating Capacity (W)	65	23083	27021	31662	38034	42923	48515	54802	61973
		55	23100	29029	33284	38091	43448	49540	56455	64319
		50	25192	28916	33266	38240	43835	50200	57422	65624
		45	25217	28914	33309	38475	44302	50934	58458	66994
		35	25056	28900	33589	39122	45398	52548	60660	69848
	25	25210	29110	34001	39883	46585	54230	62907	72726	
	Power (W)	65	13305	14456	15065	17165	17199	17253	17244	17646
		55	11532	13488	13570	13616	13627	13677	13790	14262
		50	11730	11896	12026	12120	12173	12267	12433	12935
		45	10376	10565	10719	10837	10922	11055	11264	11794
35		8206	8418	8594	8734	8863	9052	9324	9895	
25	6460	6667	6837	6972	7115	7325	7634	8216		

Remarks: Subcooling 8.3°C, S.H 11.1°C
 Transition Area

YW/YSW Series

Capacity

R407C

Classic Series(With EVI)

Model	C.T. (°C)	E.T. (°C)										
		-30	-25	-20	-15	-10	-5	0	5	10	15	
YW75T2-V102	Heating Capacity (W)	70	5425	6226	6915	7697	8353	9245	8420	9656	10955	12385
		65	5401	6186	6885	7743	8092	9088	9627	11203	12663	12684
		55	5343	6010	6636	7324	7769	8691	9943	11083	12715	14393
		50	5269	5876	6453	6938	7608	8787	10016	11366	12800	14499
		45	5346	5811	6265	6644	7572	8880	10073	11366	12891	14641
	35	5046	5658	6329	6986	7795	8996	10229	11552	13228	14982	
	25	4995	5622	5444	6024	7404	9091	10463	11834	12691	10108	
	Power (W)	70	2532	2800	3063	3381	3506	3662	3489	3570	3756	3903
		65	2396	2623	2846	3346	3223	3384	3496	3522	3657	3509
		55	2176	2301	2467	2703	2719	2797	2891	2949	3052	3161
50		2058	2138	2257	2400	2453	2592	2685	2739	2830	2956	
45		1876	1953	2050	2140	2284	2417	2473	2492	2599	2732	
YW110T2-V100	Heating Capacity (W)	70	7978	9164	10181	11334	12312	13642	12364	14184	16097	18203
		65	7951	9116	10150	11406	11939	13357	14151	16475	18626	18649
		55	7880	8874	9803	10765	11422	12779	14623	16455	18705	21178
		50	7776	8684	9494	10201	11188	12925	14732	16721	18833	21335
		45	7905	8599	9217	9770	11138	13063	14818	16722	18968	21545
	35	7484	8396	9317	10282	11470	13235	15050	16999	19469	22052	
	25	7425	8363	8016	8864	10893	13375	15396	17417	18683	14884	
	Power (W)	70	3629	4014	4390	4845	5025	5248	4955	5069	5333	5543
		65	3434	3760	4079	4796	4619	4806	4964	5002	5193	4984
		55	3119	3298	3536	3839	3861	3972	4105	4227	4334	4489
50		2950	3064	3205	3409	3483	3680	3813	3889	4019	4198	
45		2688	2800	2911	3039	3243	3432	3512	3539	3691	3880	
YW152T2-V100	Heating Capacity (W)	70	10432	11789	1387	12459	15099	18350	20972	23679	25573	21959
		65	10432	11789	1387	12459	15099	18350	20972	23679	25573	21959
		55	11091	12624	13984	15857	16448	18354	20834	23144	26241	29006
		50	10738	12035	13251	14341	15575	17763	20161	22855	25621	28906
		45	11017	11945	12811	13657	15298	17865	20262	22847	25792	29194
	35	10897	12025	13177	14397	16004	18349	20797	23319	26566	30022	
	25	10432	11789	1387	12459	15099	18350	20972	23679	25573	21959	
	Power (W)	70	6937	7097	7467	7760	7760	7760	7760	7760	7760	7760
		65	4808	5264	5711	6714	6467	6728	6950	7003	7271	6977
		55	4367	4617	4950	5374	5406	5560	5747	5918	6067	6284
50		4130	4290	4487	4772	4877	5152	5338	5445	5626	5877	
45		3764	3920	4076	4255	4541	4805	4916	4955	5167	5433	
35	2912	3157	3391	3637	3900	4164	4227	4322	4560	4794		
25	2419	2553	2742	3054	3372	3679	3794	3854	3870	2632		

Remarks: Subcooling 8.3°C, S.H 11.1°C
 EVI Control rule: Discharge temp.: ≤112°C, control injecting superheat=6K; Discharge temp.: >112°C, control injecting making Discharge temp.=112°C.
 Transition Area EVI off Area



YW/YSW Series

Capacity

R407C

Classic Series(With EVI)

Model	C.T. (°C)	E.T. (°C)										
		-30	-25	-20	-15	-10	-5	0	5	10	15	
YW245T1-V100	Heating Capacity (W)	70	12387	14342	16593	19531	22248	25723	26152	29869	34015	38551
		65	12576	14500	16614	20079	22530	26920	30801	34957	39271	44190
		55	12687	14528	16896	21118	23791	27235	31011	35019	39407	44437
		50	13440	15083	18244	20946	23775	27343	31058	35101	39622	44799
		45	14335	15687	18268	20699	23921	27391	31104	35243	39951	45331
		35	14760	16072	18299	20926	23925	27373	31265	35761	40995	46934
	Power (W)	25	15743	16738	18358	20682	23661	27326	31609	36662	42634	49369
		70	7449	8238	9011	9945	10315	10772	10563	10848	11080	11432
		65	7048	7717	8373	9844	9481	11342	11421	11273	11120	11235
		55	6403	6768	7257	9138	8886	8901	8812	8764	8744	8951
		50	6055	6289	7611	7863	7831	7819	7800	7806	7832	8070
		45	5518	5747	6671	6829	6873	6921	6952	6998	7059	7320
		35	4269	4629	5118	5260	5402	5519	5612	5703	5789	6057
		25	3547	3744	3897	4100	4281	4418	4518	4599	4665	4896
		70	14247	16497	19085	22465	25589	29587	29959	34230	38997	44210
YW285T1-V100	Heating Capacity (W)	65	14465	16678	19109	23095	25914	30833	35296	40078	45041	50698
		55	14592	16710	19433	24185	27263	31224	35568	40178	45225	51008
		50	15459	17348	20897	24001	27256	31360	35633	40284	45483	51435
		45	16488	18043	20935	23730	27434	31426	35696	40456	45870	52055
		35	16977	18486	20989	24008	27457	31421	35897	41067	47085	53914
		25	18108	19252	21070	23741	27165	31380	36304	42116	48984	56728
	Power (W)	70	8568	9475	10364	11439	11864	12390	12028	12352	12617	13017
		65	8107	8876	9630	11322	10905	12915	13006	12836	12662	12793
		55	7364	7785	8347	10406	10118	10135	10034	9979	9957	10193
		50	6964	7234	8667	8954	8917	8904	8882	8889	8919	9189
		45	6346	6610	7596	7777	7826	7881	7916	7969	8038	8335
		35	4910	5324	5828	5990	6151	6284	6390	6494	6592	6898
		25	4080	4306	4438	4669	4875	5030	5144	5237	5312	5575
		70	16107	18651	21577	25399	28931	33450	33976	38808	44199	50097
		65	16354	18855	21605	26111	29298	35008	40056	45472	51081	57480
YW320T1-V100	Heating Capacity (W)	55	16498	18892	21971	27468	30949	35421	40332	45538	51239	57777
		50	17477	19614	23763	27251	30923	35565	40389	45639	51513	58243
		45	18641	20400	23786	26930	31120	35626	40444	45819	51938	58932
		35	19194	20900	23828	27235	31122	35593	40645	46487	53295	61021
		25	20473	21766	23900	26907	30766	35523	41087	47660	55434	64201
		70	9687	10712	11718	12932	13413	14008	13081	13435	13722	14156
	Power (W)	65	9166	10035	10888	12801	12329	14047	14145	13961	13772	13913
		55	8326	8801	9437	11318	11005	11023	10914	10853	10829	11085
		50	7874	8178	9426	9738	9699	9684	9661	9668	9700	9994
		45	7175	7473	8262	8458	8512	8571	8609	8667	8743	9064
		35	5551	6020	6339	6515	6690	6835	6950	7063	7169	7501
		25	4613	4868	4827	5078	5302	5471	5595	5695	5777	6062

Remarks: Subcooling 8.3°C, S.H 11.1°C
 EVI Control rule: Discharge temp.: ≤112°C, control injecting superheat=6K; Discharge temp.: >112°C, control injecting making Discharge temp.=112°C.

Transition Area EVI off Area

YW/YSW Series

Capacity

R407C

Classic Series(With EVI)

Model	C.T. (°C)	E.T. (°C)										
		-30	-25	-20	-15	-10	-5	0	5	10	15	
YSW340T1G-V100	Heating Capacity (W)	65	17743	20375	23251	28045	31153	37119	42172	47550	53120	59529
		55	17756	20220	23392	29170	32596	37063	41948	47136	52822	59389
		50	18664	20844	25179	28709	32369	36999	41811	47053	52921	59685
		45	19718	21519	25022	28190	32381	36888	41703	47079	53198	60228
		35	20018	21793	24766	28193	32101	36587	41648	47497	54308	62071
		25	21150	22480	24604	27644	31531	36306	41879	48456	56228	65023
	Power (W)	65	10567	11570	12553	14758	14214	16195	16282	16096	15878	16040
		55	9599	10147	10881	13048	12688	12709	12583	12513	12485	12780
		50	9078	9429	10868	11227	11182	11165	11138	11146	11184	11522
		45	8273	8616	9525	9752	9814	9882	9926	9993	10080	10451
		35	6400	6940	7308	7511	7713	7880	8013	8144	8266	8649
		25	5318	5613	5565	5854	6113	6307	6451	6567	6661	6990
		65	20874	23970	27354	32994	36650	43669	49614	55942	62494	70034
		55	20890	23788	27519	34318	38348	43603	49351	55454	62144	69869
		50	21958	24522	29622	33775	38081	43529	49189	55357	62260	70217
YSW400T1G-V100	Heating Capacity (W)	45	23197	25317	29437	33165	38095	43397	49063	55386	62586	70857
		35	23551	25639	29136	33169	37766	43044	48998	55879	63892	73025
		25	24882	26448	28946	32522	37095	42713	49269	57007	66151	76498
		65	12432	13612	14768	17363	16723	19053	19156	18936	18680	18871
		55	11293	11938	12801	15351	14927	14952	14804	14722	14688	15036
		50	10680	11093	12786	13209	13155	13135	13104	13113	13157	13555
	Power (W)	45	9732	10136	11206	11473	11545	11626	11678	11756	11858	12295
		35	7530	8165	8598	8836	9074	9271	9427	9581	9724	10175
		25	6256	6603	6547	6887	7191	7420	7589	7725	7837	8223

Remarks: Subcooling 8.3°C, S.H 11.1°C
 EVI Control rule: Discharge temp.: ≤112°C, control injecting superheat=6K; Discharge temp.: >112°C, control injecting making Discharge temp.=112°C.

Transition Area EVI off Area

Model	C.T. (°C)	E.T. (°C)											
		-15	-10	-5	0	5	10	15	20	25			
YSW265J1G-100	Heating Capacity (W)	80			22451	25781	27919	31966	36491	41558	47232		
		75	15621	18354	21348	24667	28377	32543	37230	42504	48430		
		70	15933	18645	21662	25048	28870	33192	38080	43599	49815		
		65	16150	18878	21956	25448	29419	33936	39062	44865	51408		
		60	16294	19076	22253	25888	30047	34796	40199	46323	53232		
		55	16386	19261	22575	26391	30776	35795	41513	47996	55308		
		50	16451	19456	22944	26980	31628	36956	43026	49906	57660		
		45	16508	19682	23383	27676	32626	38300	44761	52076	60310		
		40	16582	19962	23913	28502	33792	39849	46740	54528			
		35	16693	20318	24558	29480	35147	41627	48984				
		30	16866	20772	25339	30632	36715	43655					
		YSW290J1G-100	Heating Capacity (W)	80			13430	13808	12632	12994	13450	14056	14866
				75	9755	10299	10725	11089	11445	11848	12352	13013	13884
				70	8648	9193	9628	10008	10386	10818	11358	12062	12983
				65	7702	8238	8669	9053	9442	9892	10457	11192	12152
60	6905			7419	7836	8212	8601	9057	9635	10391	11378		
55	6243			6724	7116	7473	7849	8301	8881	9645	10648		
50	5706			6142	6497	6823	7176	7611	8182	8943	9950		
45	5279			5660	5966	6250	6568	6975	7525	8272	9272		
40	4951			5265	5511	5742	6014	6381	6898	7620			
35	4710			4945	5119	5286	5500	5816	6289				
30	4543			4688	4779	4869	5014	5268					
YSW290J1G-100	Power (W)			80			25382	29148	31564	36141	41256	46985	53400
				75	17661	20751	24136	27888	32083	36793	42092	48055	54755
				70	18014	21080	24490	28319	32640	37527	43053	49293	56320
				65	18259	21344	24823	28771	33261	38367	44163	50723	58121
		60	18421	21567	25158	29268	33971	39340	45449	52372	60183		
		55	18526	21777	25522	29837	34795	40469	46934	54263	62531		
		50	18599	21997	25940	30503	35759	41781	48645	56423	65190		
		45	18664	22252	26436	31290	36887	43301	50606	58876	68185		
		40	18747	22569	27036	32223	38205	45053	52843	61648			
		35	18873	22971	27765	33329	39737	47063	55381				
		30	19068	23485	28648	34632	41510	49356					
		YSW290J1G-100	Power (W)	80			15184	15611	14281	14691	15207	15892	16807
				75	11029	11644	12126	12537	12940	13395	13965	14712	15697
				70	9778	10394	10886	11314	11742	12231	12842	13637	14679
				65	8708	9313	9802	10235	10675	11183	11822	12654	13739
60	7806			8387	8859	9284	9724	10239	10893	11748	12863		
55	7059			7603	8045	8449	8874	9384	10041	10905	12038		
50	6451			6944	7345	7714	8113	8605	9250	10111	11250		
45	5968			6399	6745	7066	7426	7886	8507	9352	10483		
40	5598			5953	6230	6492	6799	7214	7799	8615			
35	5325			5591	5787	5976	6218	6576	7111				
30	5136			5300	5403	5505	5669	5956					

Remarks: Subcooling 8.3°C, S.H 11.1°C

Model	C.T. (°C)	E.T. (°C)										
		-20	-15	-10	-5	0	5	10	15	20	25	
YW38J2-V102	Heating Capacity (W)	80	2624	2789	3341	3871	4468	5192	5911	6718	6594	7498
		70	2731	2969	3421	3973	4562	5345	6118	6995	7979	9079
		60	2812	3092	3489	4042	4704	5421	6193	7080	8068	9163
		50	2777	3052	3534	4147	4808	5541	6369	7321	8379	9548
		40	2691	3020	3597	4236	4957	5753	6737	7774	8918	
		30	2604	3028	3657	4377	5182	6129	7179			
		80	1913	1933	2114	2120	2149	2234	2258	2296	2191	2317
		70	1426	1523	1605	1681	1731	1798	1845	1910	1998	2119
		60	1117	1259	1278	1348	1408	1457	1516	1595	1700	1839
YW55J2-V102	Power (W)	50	906	987	1047	1097	1145	1196	1255	1336	1446	1593
		40	780	824	875	917	954	994	1042	1113	1215	
		30	717	737	770	792	808	826	850			
		80	3448	3770	4513	5228	6040	7023	8002	9099	8932	10161
		70	3593	4012	4625	5375	6175	7240	8292	9483	10821	12316
		60	3710	4185	4724	5476	6375	7350	8400	9605	10948	12436
		50	3669	4134	4790	5623	6523	7519	8644	9938	11376	12965
		40	3556	4094	4879	5748	6728	7811	9149	10560	12115	
		30	3441	4107	4962	5942	7038	8326	9755			
YW80J2-V100	Power (W)	80	2504	2536	2777	2844	2883	2997	3029	3081	2939	3109
		70	1909	2044	2153	2255	2323	2413	2476	2562	2681	2843
		60	1495	1689	1714	1809	1889	1955	2035	2140	2280	2468
		50	1212	1325	1405	1472	1536	1604	1684	1793	1941	2138
		40	1043	1106	1174	1230	1280	1334	1398	1494	1630	
		30	958	989	1033	1062	1085	1108	1140			
		80	4771	5346	6397	7410	8569	9971	11368	12935	12699	14452
		70	4979	5689	6562	7632	8774	10293	11794	13495	15403	17535
		60	5157	5943	6714	7785	9068	10459	11958	13678	15592	17714
YW80J2-V100	Heating Capacity (W)	50	5106	5879	6814	8003	9286	10708	12314	14161	16212	18477
		40	4950	5826	6946	8185	9585	11130	13041	15054	17274	
		30	4788	5846	7067	8466	10031	11872	13913			
		80	3450	3503	3839	4004	4059	4220	4264	4338	4138	4377
		70	2683	2877	3031	3175	3271	3397	3486	3607	3774	4002
		60	2100	2378	2414	2547	2660	2752	2864	3012	3211	3474
		50	1702	1865	1978	2073	2162	2258	2371	2524	2732	3010
		40	1463	1557	1653	1731	1803	1878	1968	2103	2295	
		30	1345	1393	1455	1495	1527	1560	1605			

Remarks: Subcooling 8.3°C, S.H 11.1°C

EVI Control rule: Discharge temp. ≤ 112°C, control injecting superheat = 6K; Discharge temp. > 112°C, control injecting making Discharge temp. = 112°C.

YW/YSW Series Capacity

RI34a

Ultra-High Temp. J Series(With EVI)

Model	C.T. (°C)	E.T. (°C)										
		-20	-15	-10	-5	0	5	10	15	20	25	
YW38J1-V100	Heating Capacity (W)	80	2587	2751	3300	3830	4426	5148	5867	6673	6551	7453
		70	2703	2939	3389	3940	4528	5310	6082	6957	7939	9037
		60	2790	3068	3464	4016	4676	5392	6164	7048	8034	9127
		50	2760	3032	3514	4126	4786	5518	6344	7295	8350	9517
		40	2676	3004	3580	4218	4938	5733	6716	7752	8895	
	Power (W)	30	2590	3013	3642	4361	5166	6113	7163			
		80	1876	1895	2073	2078	2107	2190	2213	2251	2148	2272
		70	1398	1493	1573	1648	1697	1763	1809	1872	1959	2077
		60	1095	1234	1253	1322	1380	1429	1487	1563	1666	1803
		50	888	968	1027	1076	1122	1172	1231	1310	1418	1562
YW55J1-V100	Heating Capacity (W)	80	3399	3720	4459	5172	5983	6964	7942	9039	8874	10100
		70	3555	3972	4582	5331	6130	7193	8243	9433	10768	12260
		60	3681	4152	4691	5440	6338	7311	8360	9563	10903	12387
		50	3646	4108	4763	5595	6492	7487	8611	9903	11338	12923
		40	3536	4073	4856	5723	6703	7784	9121	10530	12083	
	Power (W)	30	3422	4087	4942	5921	7016	8305	9733			
		80	2455	2487	2723	2788	2826	2938	2970	3021	2882	3048
		70	1872	2004	2111	2211	2277	2365	2427	2512	2628	2787
		60	1466	1656	1681	1774	1852	1917	1995	2098	2236	2419
		50	1188	1299	1378	1443	1506	1573	1651	1758	1903	2096
YW80J1-V100	Heating Capacity (W)	80	4703	5277	6322	7331	8489	9888	11285	12850	12618	14366
		70	4926	5633	6503	7570	8710	10226	11726	13424	15329	17457
		60	5115	5897	6666	7735	9016	10405	11902	13618	15529	17646
		50	5073	5842	6776	7962	9244	10664	12267	14111	16158	18418
		40	4921	5796	6913	8151	9549	11094	13002	15013	17229	
	Power (W)	30	4762	5819	7039	8437	10002	11841	13881			
		80	3382	3434	3764	3926	3979	4137	4181	4253	4057	4291
		70	2631	2821	2972	3113	3206	3330	3417	3536	3700	3923
		60	2059	2331	2366	2497	2607	2698	2808	2953	3148	3406
		50	1669	1829	1939	2032	2120	2214	2325	2475	2679	2951
40	1435	1526	1621	1697	1767	1842	1930	2062	2250			
30	1318	1366	1426	1466	1497	1529	1573					

Remarks: Subcooling 8.3°C, S.H 11.1°C
EVI Control rule: Discharge temp.:≤112°C, control injecting superheat=6K; Discharge temp.:>112°C, control injecting making Discharge temp.=112°C.

YW/YSW Series Capacity

RI34a

Ultra-High Temp. J Series(With EVI)

Model	C.T. (°C)	E.T. (°C)										
		-20	-15	-10	-5	0	5	10	15	20	25	
YW100J1-V100	Heating Capacity (W)	80	5684	6450	7726	8960	10381	12098	13814	15736	15453	17598
		70	5960	6886	7953	9263	10662	12523	14364	16450	18788	21399
		60	6200	7216	8162	9473	11045	12751	14589	16696	19041	21638
		50	6153	7156	8301	9758	11331	13074	15043	17307	19819	22592
		40	5971	7102	8474	9994	11711	13607	15951	18420	21140	
	Power (W)	30	5777	7133	8631	10348	12270	14529	17035			
		80	4075	4142	4542	4775	4841	5033	5086	5173	4936	5220
		70	3198	3432	3616	3787	3901	4051	4157	4302	4501	4773
		60	2502	2836	2879	3038	3172	3283	3416	3593	3829	4143
		50	2027	2225	2359	2472	2579	2694	2828	3011	3259	3590
YW120J1-V100	Heating Capacity (W)	80	6650	7608	9114	10570	12256	14290	16324	18603	18270	20811
		70	6981	8127	9390	10942	12600	14806	16988	19460	22231	25325
		60	7275	8526	9646	11199	13063	15084	17263	19760	22539	25615
		50	7226	8461	9818	11544	13409	15475	17809	20491	23468	26753
		40	7014	8402	10028	11829	13864	16112	18891	21818	25041	
	Power (W)	30	6786	8440	10216	12252	14531	17211	20182			
		80	4754	4836	5303	5608	5685	5910	5972	6075	5796	6130
		70	3753	4030	4246	4447	4581	4757	4882	5052	5286	5605
		60	2936	3330	3380	3567	3725	3855	4012	4219	4497	4866
		50	2379	2612	2771	2903	3029	3163	3321	3535	3827	4215
YW132J1-V100	Heating Capacity (W)	80	7115	8141	9752	11310	13114	15290	17467	19905	19549	22267
		70	7470	8696	10048	11708	13482	15842	18177	20822	23787	27097
		60	7784	9122	10321	11983	13978	16140	18471	21143	24116	27408
		50	7732	9053	10505	12352	14347	16558	19055	21925	25111	28626
		40	7505	8990	10729	12657	14835	17240	20213	23345	26794	
	Power (W)	30	7261	9031	10931	13109	15548	18415	21595			
		80	5087	5174	5675	6000	6083	6323	6390	6501	6202	6559
		70	4016	4312	4543	4758	4901	5090	5224	5405	5656	5997
		60	3142	3563	3617	3817	3986	4125	4292	4514	4811	5206
		50	2546	2795	2965	3106	3241	3384	3554	3783	4095	4510
40	2188	2333	2478	2594	2702	2815	2950	3151	3439			
30	2011	2087	2180	2241	2288	2337	2405					

Remarks: Subcooling 8.3°C, S.H 11.1°C
EVI Control rule: Discharge temp.:≤112°C, control injecting superheat=6K; Discharge temp.:>112°C, control injecting making Discharge temp.=112°C.



YW/YSW Series

Capacity

RI34a

Ultra-High Temp. J Series(With EVI)

Model	C.T. (°C)	E.T. (°C)										
		-20	-15	-10	-5	0	5	10	15	20	25	
YW180J1-V100	Heating Capacity (W)	80	9721	11268	13491	16450	18955	21142	24152	27523	27031	30790
		70	10201	12024	13893	16189	18642	21906	25134	28791	32891	37468
		60	10637	12614	14272	16570	19327	22318	25541	29235	33347	37899
		50	10567	12518	14525	17080	19839	22896	26349	30317	34722	39582
		40	10256	12430	14836	17502	20513	23839	27950	32280	37049	
	30	9920	12487	15115	18127	21499	25464	29860				
	Power (W)	80	6947	7076	7765	9107	9232	8744	8836	8989	8575	9069
		70	5548	5962	6282	6579	6777	7038	7223	7474	7821	8293
		60	4339	4927	5001	5278	5511	5703	5935	6242	6653	7199
		50	3515	3865	4099	4295	4481	4680	4914	5231	5662	6237
40		3020	3225	3426	3587	3736	3892	4079	4357	4755		
30	2775	2886	3014	3099	3164	3232	3326					
YW200J1-V100	Heating Capacity (W)	80	11144	12965	15519	19150	22035	24318	27780	31657	31091	35414
		70	11693	13830	15980	18620	21442	25196	28910	33116	37831	43096
		60	12194	14509	16415	19058	22230	25670	29377	33626	38355	43591
		50	12115	14398	16707	19645	22819	26335	30306	34871	39937	45528
		40	11758	14297	17064	20130	23594	27419	32148	37128	42613	
	30	11373	14363	17385	20849	24728	29288	34345				
	Power (W)	80	7964	8115	8906	10705	10852	10164	10339	9863	10432	
		70	6380	6857	7225	7567	7795	8095	8308	8597	8995	9538
		60	4989	5667	5752	6071	6339	6560	6827	7179	7652	8280
		50	4041	4446	4715	4940	5154	5383	5652	6017	6512	7173
40		3473	3710	3940	4126	4297	4477	4692	5012	5470		
30	3190	3320	3467	3564	3639	3717	3825					
YW240J1-V100	Heating Capacity (W)	80	12567	14661	17547	21651	24912	27493	31407	35791	35151	40039
		70	13185	15636	18067	21052	24241	28486	32685	37440	42771	48724
		60	13752	16403	18559	21547	25133	29022	33213	38017	43364	49283
		50	13663	16278	18889	22211	25798	29774	34264	39424	45153	51473
		40	13260	16164	19293	22759	26675	31000	36346	41976	48178	
	30	12825	16238	19655	23572	27957	33113	38829				
	Power (W)	80	8980	9153	10046	12103	12269	11370	11491	11689	11151	11794
		70	7211	7753	8169	8555	8813	9153	9393	9720	10170	10784
		60	5639	6407	6504	6864	7167	7417	7718	8117	8651	9361
		50	4567	5026	5331	5586	5827	6086	6390	6802	7362	8110
40		3925	4194	4455	4665	4858	5062	5304	5666	6184		
30	3606	3753	3920	4030	4114	4203	4325					

Remarks: Subcooling 8.3°C, S.H 11.1°C
 EVI Control rule: Discharge temp.:≤112°C, control injecting superheat=6K; Discharge temp.:>112°C, control injecting making Discharge temp.=112°C.

YW/YSW Series

Capacity

RI34a

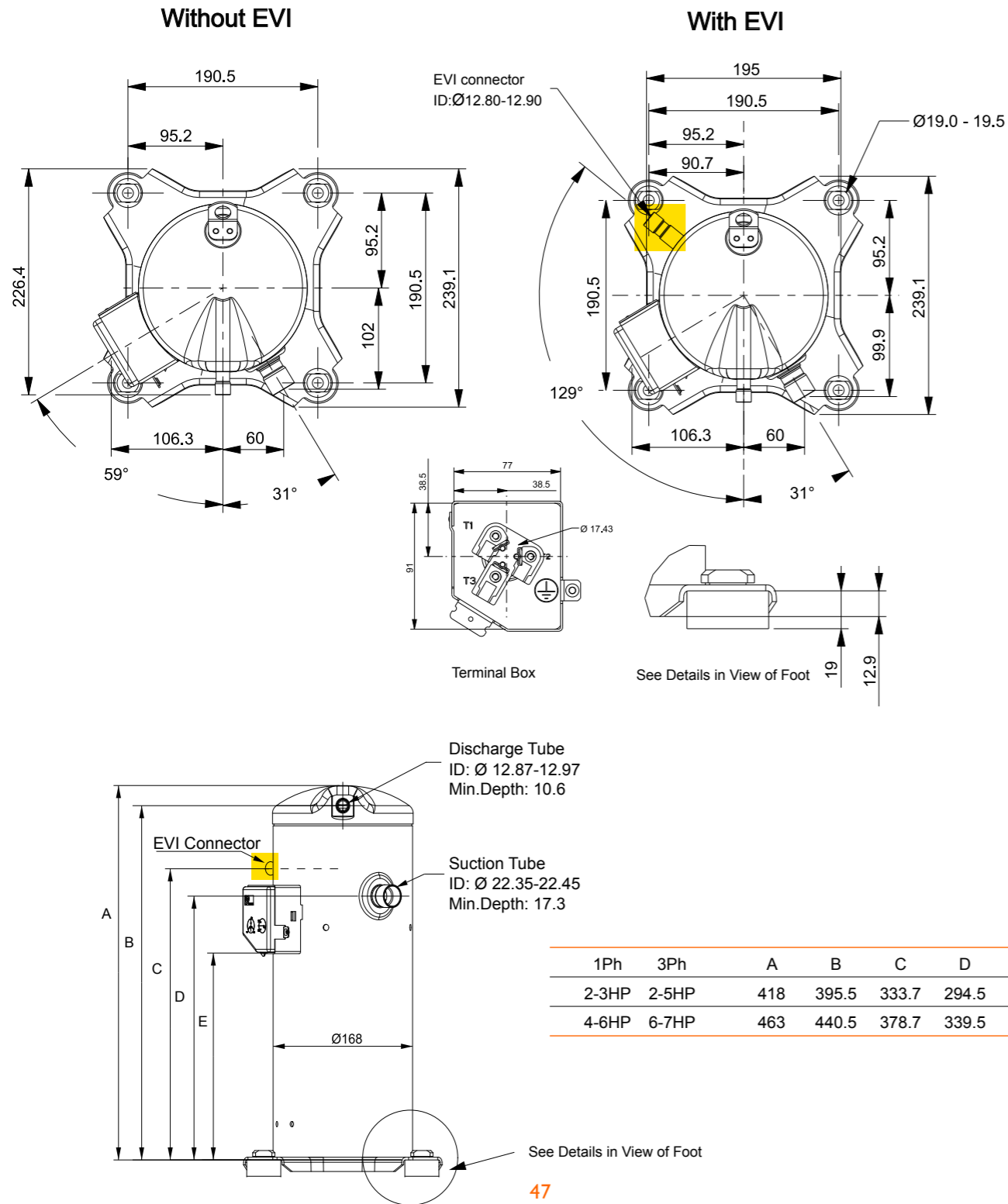
Ultra-High Temp. J Series(With EVI)

Model	C.T. (°C)	E.T. (°C)										
		-20	-15	-10	-5	0	5	10	15	20	25	
YSW265J1G-V100	Heating Capacity (W)	80	14245	18527	22385	26361	29833	32339	36725	42556	48190	54509
		70	16220	19375	22208	26365	29007	33155	38366	43926	49691	56229
		60	16849	19989	22923	26363	29891	34413	39523	44954	50907	57714
		50	16834	20188	23204	26950	30986	36100	41510	47426	54051	61611
		40	16485	20234	23616	27616	32809	38260	44185	50806	58322	
	30	15994	20295	24423	29343	34615	40454	47080				
	Power (W)	80	14017	14321	14618	15176	15465	14147	14423	14941	15384	16035
		70	9156	9686	10205	11564	11108	11528	12048	12467	13066	13884
		60	7094	7595	8235	8919	9033	9444	9838	10371	11068	11995
		50	5796	6219	6695	7214	7464	7777	8193	8746	9464	10428
40		5008	5347	5686	5984	6184	6451	6823	7336	8022		
30	4607	4769	4912	5016	5141	5322	5603					
YSW290J1G-V100	Heating Capacity (W)	80	16105	20946	25308	29804	33729	36562	41521	48113	54483	61627
		70	18338	21905	25108	29808	32794	37484	43376	49662	56179	63572
		60	19049	22599	25917	29805	33794	38907	44684	50825	57555	65250
		50	19032	22824	26234	30470	35032	40814	46930	53620	61109	69656
		40	18637	22877	26700	31223	37093	43257	49955	57440	65938	
	30	18083	22946	27612	33175	39135	45737	53228				
	Power (W)	80	15848	16192	16527	17158	17485	15995	16306	16892	17393	18129
		70	10352	10951	11537	13074	12559	13034	13622	14094	14773	15698
		60	8020	8587	9310	10083	10213	10677	11123	11726	12513	13562
		50	6552	7031	7569	8156	8438	8792	9263	9888	10700	11789
40		5662	6046	6429	6765	6992	7294	7713	8294	9070		
30	5209	5391	5553	5671	5812	6017	6335					

Remarks: Subcooling 8.3°C, S.H 11.1°C
 EVI Control rule: Discharge temp.:≤112°C, control injecting superheat=6K; Discharge temp.:>112°C, control injecting making Discharge temp.=112°C.

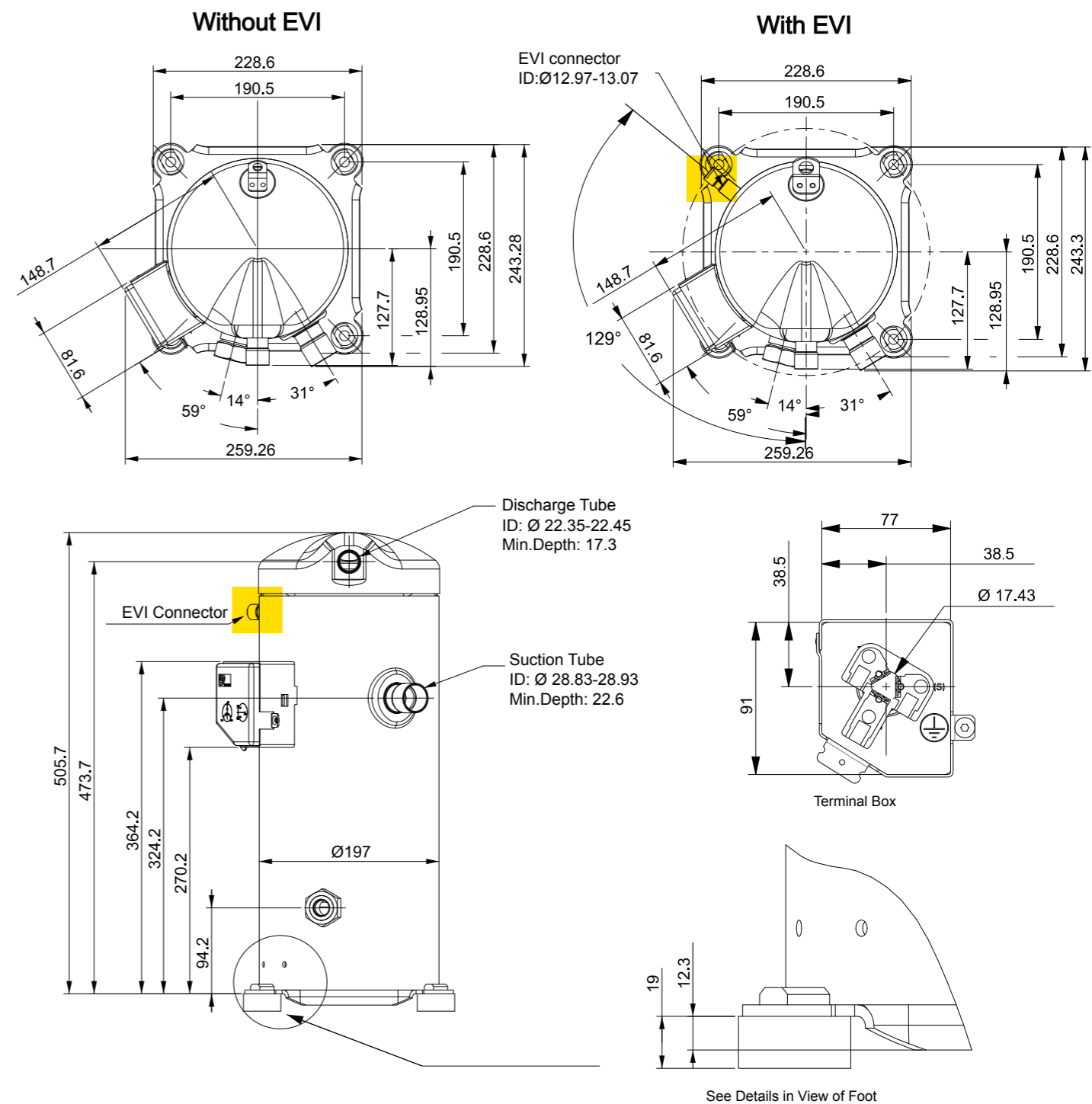
YW/YSW Series Dimensions

3-7HP



YW/YSW Series Dimensions

8-12HP



YW/YSW Series

Dimensions

13-15HP

